

Data sheet ePole duo short

Article no. i00021480

With the ePole duo short, you can elegantly position two eBOX Wallboxes in any location.

The ePole duo short is suitable for the installation of two eBOX smart, professional or touch including eCLICK - each with or without attached charging cable - and is optionally available with cable holders.

The reading of the calibration meter for eBOX variants that comply with calibration law is ensured by two viewing windows on the side.



Technical data

General informationen

Product name	ePole duo short
Compatible charging stations	eBOX product family
Version	For two eBOX Wallboxes
Scope of delivery	Pole including fixing material

Mechanical details

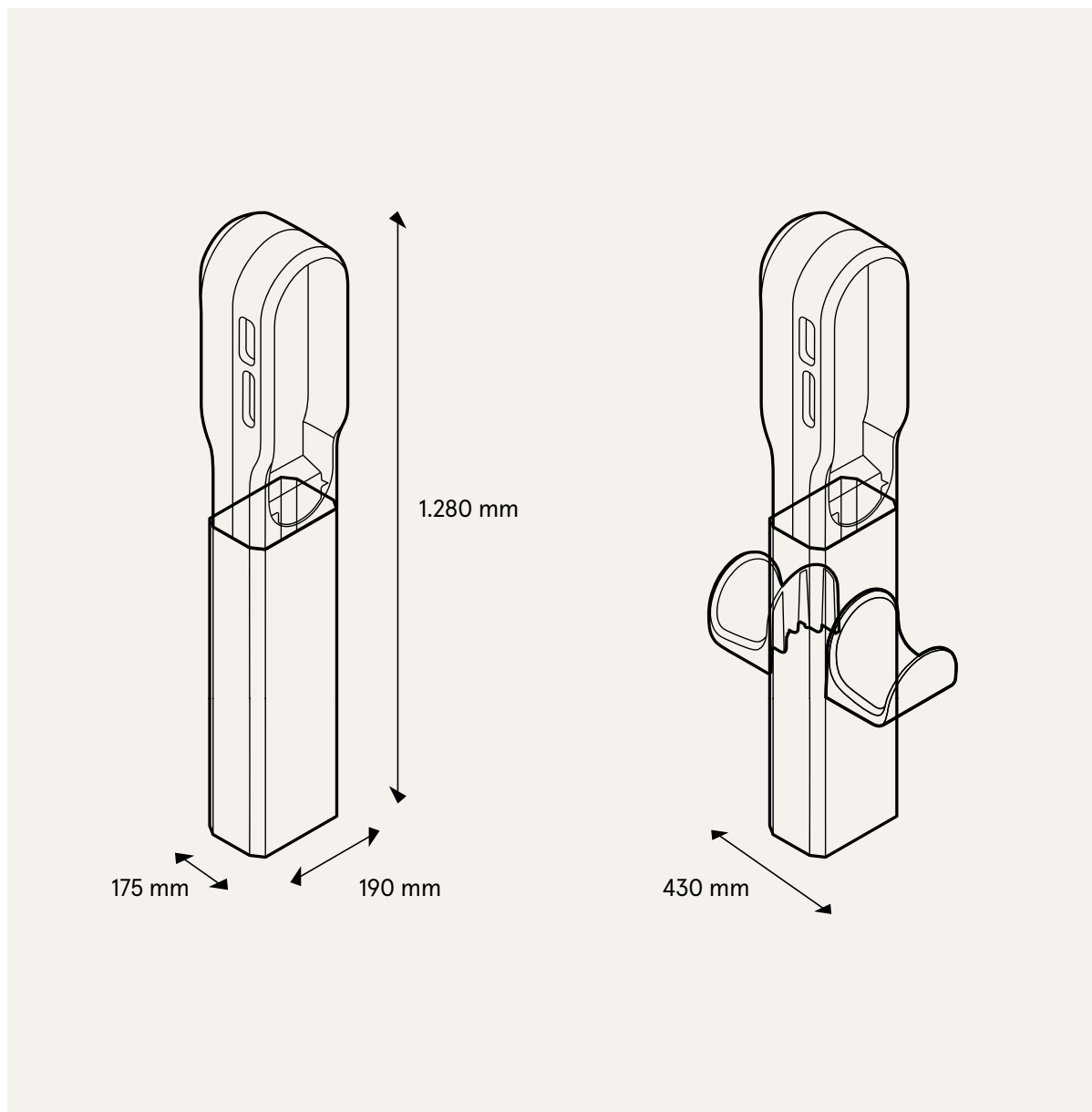
Mounting type	Free-standing on concrete base
Supply line	2-fold (one per charging point), Supply line only possible from below, Cable cross-section max. 10 mm ² per supply line
Protection	No electrical components / IP 55 with eBOX
Security	Integrated locking of the wallboxes
Dimensions (H x W x D)	Base mounting: 1.280 x 190 x 175 mm Including cable holder: 1.280 x 190 x 430 mm
Weight	Approx. 17 kg

Optional accessories

Cable holder	Article no. 10287610
--------------	----------------------

Technical data

Technical drawing





The power to move



Compleo Charging Solutions GmbH & Co. KG

Ezzestraße 8
44379 Dortmund
Germany

info@compleo-cs.com
compleo-charging.com

©2024 Compleo. All rights reserved.

This document may not be copied or reproduced in any form or by any means, in whole or in part, without written permission. All illustrations in this document serve only as examples and may differ from the delivered product. All information in this document is subject to change without notice and does not represent a commitment on the part of the manufacturer.

Technical changes and errors excepted.